

NEUTRAL HOT 2 HOT 1

240V Feeder Cable from Energy Meter to the Main Distribution Panel

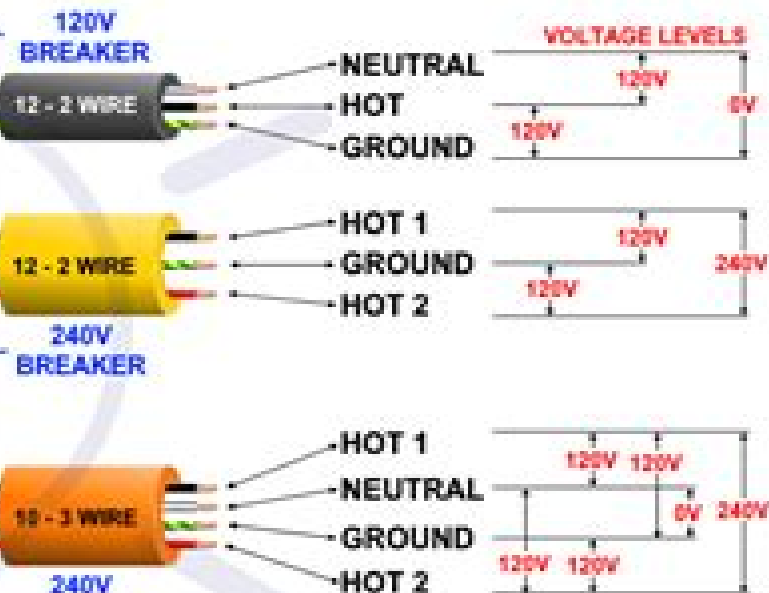
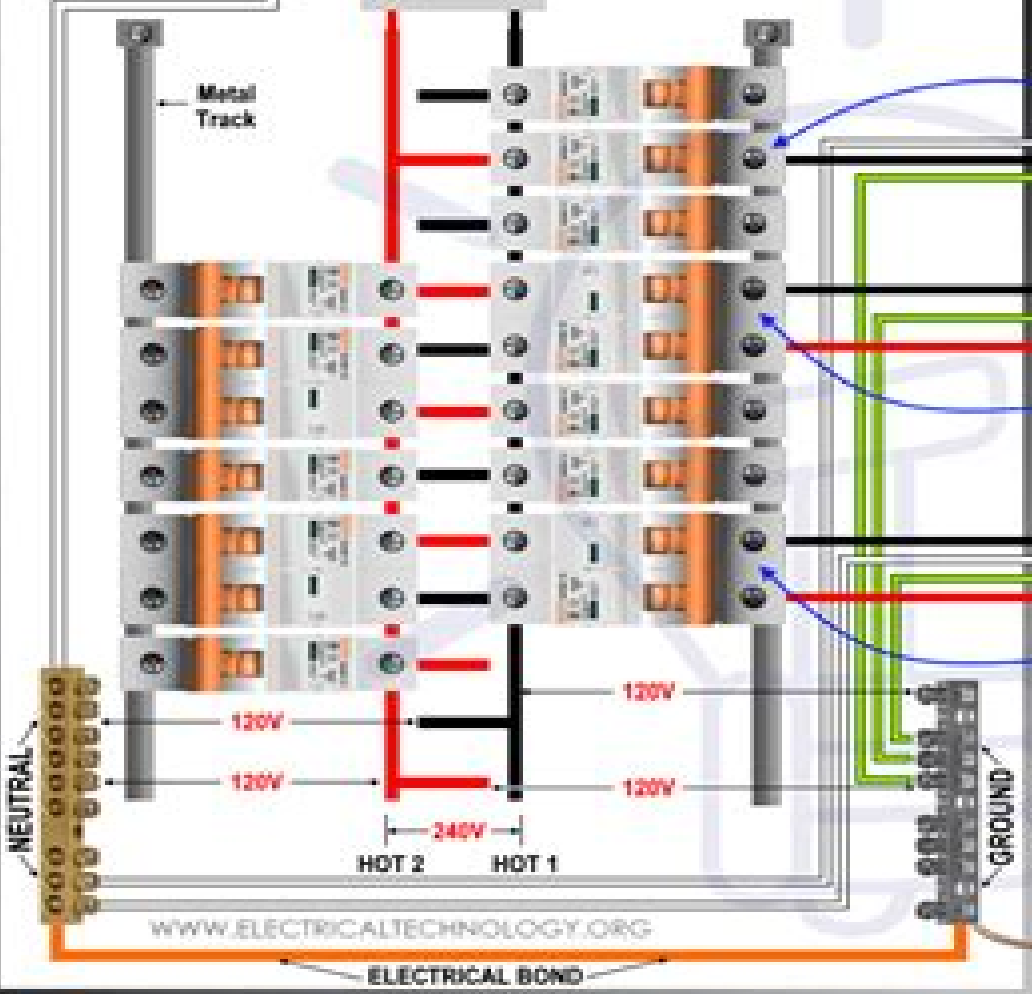
MAIN BREAKER SWITCH

NEVER EVER TOUCH
These screws are continuously HOT (LIVE). No matter whether the main Switch is ON or OFF.

Metal Track

MAIN PANEL WIRING FOR 120V & 240V BREAKERS

SINGLE PHASE BREAKERS BOX WIRING US - NEC



Wiring Color Codes (NEC)

- HOT 1
- HOT 2
- NEUTRAL
- GROUND (or Bare Conductor)

WWW.ELECTRICALTECHNOLOGY.ORG

ELECTRICAL BOND

EARTHING CONDUCTOR

GROUND ROD

240v Circuit Breaker Wiring Diagram

Rosina Ehmman



240v Circuit Breaker Wiring Diagram:

Wiring Simplified Herbert P. Richter, Herbert P Richter, 1995-10 Circuit Down Larry Dimock, 2007-07 Circuit Down is a guide for solving problems in the electrical circuits of a home shorts loose connections GFCIs tripping etc The book is thorough but not overly technical and gives over 30 helpful black and white diagrams and charts Homeowners will come to understand their wiring system and what can happen to it Many problems will become easy to fix with confidence

Electrical Wiring Thomas S. Colvin, American Association for Vocational Instructional Materials, 1986-11 *Electric Wiring* , Wiring for Light and Power Terrell Croft, 1917 *Home Electrical Wiring and Maintenance Made Easy* , 1986

National Electrical Code , 1905 1978 edition updated by Tentative interim amendment 70 78 6 to the National electrical code NFPA 70 1978 approved for release June 20 1979 **Black and Decker Advanced Home Wiring Updated 6th Edition** Editors of Cool Springs Press, 2024-06-04 Take on advanced wiring projects with confidence with up to date advice and photo illustrated step by step instructions from a trusted brand Equipped to comply with the 2023 2026 electrical codes and chock full of information that s hard to find online BLACK DECKER Advanced Home Wiring Updated 6th Edition gives you an in depth look at more sophisticated products and more advanced projects in home wiring Some of these projects include A step by step demonstration of the right way to wire a three way switch in any situation A closer look at available neutral requirements and how they impact traditional wiring configurations Information on weatherproof boxes and conduit A primer on three phase power A guide to 240 volt circuitry that eliminates all the confusion These are higher level projects but ones that offer high rewards when they are done right You ll also find Wiring safety No matter what you do safety always come first Learn about different safety procedures before starting your advanced home wiring project Planning your project Where do you start What equipment do you need What room or rooms are you planning on wiring Go through a planning checklist to ensure your wiring will be the best it can be Wiring kitchens and room additions What is different about wiring a kitchen or a room addition compared to say a living room Find out before you start on it Circuit maps What are some common household circuits How do you replace a service panel What about installing a transfer switch How does one troubleshoot You can find the answers to these as well as other important questions in this edition Whether you re trying to find the right specialty switch or learn more about breakers BLACK DECKER Advanced Home Wiring has it all With this edition you ll master the art of advanced home wiring *Wiring for Light and Power* Terrell Croft, 1920 *Circuit Breaker Development and Application* D. A. Paice, A. B. Shimp, R. P. Putkovich, 1973 **Wiring Simplified** Herbert P. Richter, 1954 Advanced Wiring Time-Life Books, 1978-06 **High Voltage Circuit Breakers** Ruben D. Garzon, 2002-06-04 This newly revised and updated reference presents sensible approaches to the design selection and usage of high voltage circuit breakers highlighting compliance issues concerning new and aging equipment to the evolving standards set forth by the American National Standards Institute and the International Electrotechnical Commission This edition features the latest

advances in mechanical and dielectric design and application from a simplified qualitative perspective High Voltage Circuit Breakers Design and Applications features new material on contact resistance insulating film coatings and fretting temperature at the point of contact short time heating of copper erosion and electromagnetic forces on contacts closing speed and circuit breaker requirements weld break and contact bounce factors influencing dielectric strength air SF6 vacuum and solid insulation and dielectric loss and partial discharges and includes updated chapters on capacitance switching switching series and shunt reactors temporary overvoltages and the benefits of condition monitoring Electrical Wiring United States. Department of the Army,1957 This manual supersedes Section I Chapter 10 TM 5 283 AFM 90 5 22 September 1948 and TB 5 283 2 30 March 1945 P 1 **Black & Decker The Complete Guide to Wiring** Creative Publishing International,Editors of Creative Publishing,2008-08 Covers all of the most common do it yourself home wiring skills and projects including new circuits installations and repair New projects in this edition include upgrading a service panel to 209 amps and wiring an outbuilding Provided by publisher *Wiring Diagrams for Light and Power* Edwin P. Anderson,1970 Residential Wiring Brooke Stauffer,Paul Rosenberg,2009-09-29 H Brooke Stauffer and the NFPA have updated this best selling primer for designing and installing residential wiring according to the 2008 National Electrical Code NFPAs Residential Wiring Third Edition outlines the steps and precautions needed to install power wiring residential smoke detectors and systems covered in Article 800 of the NEC such as telephone cable TV and broadband With easy to read text and detailed illustrations this text addresses specific challenges room by room including AFCI protection for bedrooms small appliance branch circuits for kitchens and dining rooms GFCI protection for bathrooms and outdoor areas finished and unfinished basements HVAC equipment including water heaters laundry rooms general living areas and pools National Electrical Code 2011 National Fire Protection Association,2010 Safe efficient code compliant electrical installations are made simple with the latest publication of this widely popular resource Like its highly successful previous editions the National Electrical Code 2011 LOOSE LEAF combines solid thorough research based content with the tools you need to build an in depth understanding of the most important topics It provides the full text of the updated Code regulations alongside expert commentary from code specialists offering code rationale clarifications for new and updated rules and practical real world advice on how to apply the code And in a loose leaf format it s easy to customize your experience with the Code by adding job and situation specific materials New to the 2011 edition are articles including first time Article 399 on Overhead Conductors with over 600 volts first time Article 694 on Small Wind Electric Systems first time Article 840 on Premises Powered Broadband Communications Systems and more This winning combination has created a valuable reference for those in or entering careers in electrical design installation inspection and safety *Standard Wiring for Electric Light and Power, as Adopted by the Fire Underwriters of the United States* Harry Cooke Cushing,1912 **Black & Decker The Complete Guide to Wiring, Updated 7th Edition** Editors of Cool Springs Press,2017-12-26 BLACK DECKER s latest edition of the

best selling home improvement book in North America for more than a decade is completely updated to conform to 2017
2020 national electrical codes For more than ten years BLACK DECKER The Complete Guide to Wiring has been the best
selling home wiring manual in North America Now with more than two million copies in print this is the home reference book
more DIYers choose than any other for many reasons As the most current wiring book on the market you can be confident
that your projects will meet national writing codes You ll also spend more time on your project and less time scratching your
head thanks to more than 800 clear color photos and over 40 diagrams that show you exactly what you need to know about
home electrical service all the most common circuits all the most needed techniques all the most essential tools and materials
The information in this book has been created and reviewed by professional electricians under the watchful eye of the
experts at BLACK DECKER You can find plenty of articles and videos about wiring online or in other publications but only
The Complete Guide to Wiring has passed the rigorous test to make it part of The Best DIY Series from the Brand You Trust

Delve into the emotional tapestry woven by Emotional Journey with in Experience **240v Circuit Breaker Wiring Diagram** . This ebook, available for download in a PDF format (*), is more than just words on a page; it's a journey of connection and profound emotion. Immerse yourself in narratives that tug at your heartstrings. Download now to experience the pulse of each page and let your emotions run wild.

<https://www2.x-plane.com/data/publication/fetch.php/adult%20bible%20study%20lessons.pdf>

https://www2.x-plane.com/data/publication/fetch.php/advanced_java_interview_questions_for_10_years_experience.pdf

https://www2.x-plane.com/data/publication/fetch.php/admissions_counselor_education_requirements.pdf

Table of Contents 240v Circuit Breaker Wiring Diagram

1. Understanding the eBook 240v Circuit Breaker Wiring Diagram
 - The Rise of Digital Reading 240v Circuit Breaker Wiring Diagram
 - Advantages of eBooks Over Traditional Books
2. Identifying 240v Circuit Breaker Wiring Diagram
 - Exploring Different Genres
 - Considering Fiction vs. Non-Fiction
 - Determining Your Reading Goals
3. Choosing the Right eBook Platform
 - Popular eBook Platforms
 - Features to Look for in an 240v Circuit Breaker Wiring Diagram
 - User-Friendly Interface
4. Exploring eBook Recommendations from 240v Circuit Breaker Wiring Diagram
 - Personalized Recommendations

- 240v Circuit Breaker Wiring Diagram User Reviews and Ratings
- 240v Circuit Breaker Wiring Diagram and Bestseller Lists
- 5. Accessing 240v Circuit Breaker Wiring Diagram Free and Paid eBooks
 - 240v Circuit Breaker Wiring Diagram Public Domain eBooks
 - 240v Circuit Breaker Wiring Diagram eBook Subscription Services
 - 240v Circuit Breaker Wiring Diagram Budget-Friendly Options
- 6. Navigating 240v Circuit Breaker Wiring Diagram eBook Formats
 - ePub, PDF, MOBI, and More
 - 240v Circuit Breaker Wiring Diagram Compatibility with Devices
 - 240v Circuit Breaker Wiring Diagram Enhanced eBook Features
- 7. Enhancing Your Reading Experience
 - Adjustable Fonts and Text Sizes of 240v Circuit Breaker Wiring Diagram
 - Highlighting and Note-Taking 240v Circuit Breaker Wiring Diagram
 - Interactive Elements 240v Circuit Breaker Wiring Diagram
- 8. Staying Engaged with 240v Circuit Breaker Wiring Diagram
 - Joining Online Reading Communities
 - Participating in Virtual Book Clubs
 - Following Authors and Publishers 240v Circuit Breaker Wiring Diagram
- 9. Balancing eBooks and Physical Books 240v Circuit Breaker Wiring Diagram
 - Benefits of a Digital Library
 - Creating a Diverse Reading Collection 240v Circuit Breaker Wiring Diagram
- 10. Overcoming Reading Challenges
 - Dealing with Digital Eye Strain
 - Minimizing Distractions
 - Managing Screen Time
- 11. Cultivating a Reading Routine 240v Circuit Breaker Wiring Diagram
 - Setting Reading Goals 240v Circuit Breaker Wiring Diagram
 - Carving Out Dedicated Reading Time
- 12. Sourcing Reliable Information of 240v Circuit Breaker Wiring Diagram
 - Fact-Checking eBook Content of 240v Circuit Breaker Wiring Diagram

- Distinguishing Credible Sources
13. Promoting Lifelong Learning
- Utilizing eBooks for Skill Development
 - Exploring Educational eBooks
14. Embracing eBook Trends
- Integration of Multimedia Elements
 - Interactive and Gamified eBooks

240v Circuit Breaker Wiring Diagram Introduction

In the digital age, access to information has become easier than ever before. The ability to download 240v Circuit Breaker Wiring Diagram has revolutionized the way we consume written content. Whether you are a student looking for course material, an avid reader searching for your next favorite book, or a professional seeking research papers, the option to download 240v Circuit Breaker Wiring Diagram has opened up a world of possibilities. Downloading 240v Circuit Breaker Wiring Diagram provides numerous advantages over physical copies of books and documents. Firstly, it is incredibly convenient. Gone are the days of carrying around heavy textbooks or bulky folders filled with papers. With the click of a button, you can gain immediate access to valuable resources on any device. This convenience allows for efficient studying, researching, and reading on the go. Moreover, the cost-effective nature of downloading 240v Circuit Breaker Wiring Diagram has democratized knowledge. Traditional books and academic journals can be expensive, making it difficult for individuals with limited financial resources to access information. By offering free PDF downloads, publishers and authors are enabling a wider audience to benefit from their work. This inclusivity promotes equal opportunities for learning and personal growth. There are numerous websites and platforms where individuals can download 240v Circuit Breaker Wiring Diagram. These websites range from academic databases offering research papers and journals to online libraries with an expansive collection of books from various genres. Many authors and publishers also upload their work to specific websites, granting readers access to their content without any charge. These platforms not only provide access to existing literature but also serve as an excellent platform for undiscovered authors to share their work with the world. However, it is essential to be cautious while downloading 240v Circuit Breaker Wiring Diagram. Some websites may offer pirated or illegally obtained copies of copyrighted material. Engaging in such activities not only violates copyright laws but also undermines the efforts of authors, publishers, and researchers. To ensure ethical downloading, it is advisable to utilize reputable websites that prioritize the legal distribution of content. When downloading 240v Circuit Breaker Wiring Diagram, users should also consider the potential security risks associated with online platforms. Malicious actors may exploit vulnerabilities in

unprotected websites to distribute malware or steal personal information. To protect themselves, individuals should ensure their devices have reliable antivirus software installed and validate the legitimacy of the websites they are downloading from. In conclusion, the ability to download 240v Circuit Breaker Wiring Diagram has transformed the way we access information. With the convenience, cost-effectiveness, and accessibility it offers, free PDF downloads have become a popular choice for students, researchers, and book lovers worldwide. However, it is crucial to engage in ethical downloading practices and prioritize personal security when utilizing online platforms. By doing so, individuals can make the most of the vast array of free PDF resources available and embark on a journey of continuous learning and intellectual growth.

FAQs About 240v Circuit Breaker Wiring Diagram Books

How do I know which eBook platform is the best for me? Finding the best eBook platform depends on your reading preferences and device compatibility. Research different platforms, read user reviews, and explore their features before making a choice. Are free eBooks of good quality? Yes, many reputable platforms offer high-quality free eBooks, including classics and public domain works. However, make sure to verify the source to ensure the eBook credibility. Can I read eBooks without an eReader? Absolutely! Most eBook platforms offer webbased readers or mobile apps that allow you to read eBooks on your computer, tablet, or smartphone. How do I avoid digital eye strain while reading eBooks? To prevent digital eye strain, take regular breaks, adjust the font size and background color, and ensure proper lighting while reading eBooks. What the advantage of interactive eBooks? Interactive eBooks incorporate multimedia elements, quizzes, and activities, enhancing the reader engagement and providing a more immersive learning experience. 240v Circuit Breaker Wiring Diagram is one of the best book in our library for free trial. We provide copy of 240v Circuit Breaker Wiring Diagram in digital format, so the resources that you find are reliable. There are also many Ebooks of related with 240v Circuit Breaker Wiring Diagram. Where to download 240v Circuit Breaker Wiring Diagram online for free? Are you looking for 240v Circuit Breaker Wiring Diagram PDF? This is definitely going to save you time and cash in something you should think about. If you trying to find then search around for online. Without a doubt there are numerous these available and many of them have the freedom. However without doubt you receive whatever you purchase. An alternate way to get ideas is always to check another 240v Circuit Breaker Wiring Diagram. This method for see exactly what may be included and adopt these ideas to your book. This site will almost certainly help you save time and effort, money and stress. If you are looking for free books then you really should consider finding to assist you try this. Several of 240v Circuit Breaker Wiring Diagram are for sale to free while some are payable. If you arent sure if the books you would like to download works with for usage along with your computer, it is possible to download free trials. The free guides make it easy for someone to free access online library for

download books to your device. You can get free download on free trial for lots of books categories. Our library is the biggest of these that have literally hundreds of thousands of different products categories represented. You will also see that there are specific sites catered to different product types or categories, brands or niches related with 240v Circuit Breaker Wiring Diagram. So depending on what exactly you are searching, you will be able to choose e books to suit your own need. Need to access completely for Campbell Biology Seventh Edition book? Access Ebook without any digging. And by having access to our ebook online or by storing it on your computer, you have convenient answers with 240v Circuit Breaker Wiring Diagram To get started finding 240v Circuit Breaker Wiring Diagram, you are right to find our website which has a comprehensive collection of books online. Our library is the biggest of these that have literally hundreds of thousands of different products represented. You will also see that there are specific sites catered to different categories or niches related with 240v Circuit Breaker Wiring Diagram So depending on what exactly you are searching, you will be able to choose ebook to suit your own need. Thank you for reading 240v Circuit Breaker Wiring Diagram. Maybe you have knowledge that, people have search numerous times for their favorite readings like this 240v Circuit Breaker Wiring Diagram, but end up in harmful downloads. Rather than reading a good book with a cup of coffee in the afternoon, instead they juggled with some harmful bugs inside their laptop. 240v Circuit Breaker Wiring Diagram is available in our book collection an online access to it is set as public so you can download it instantly. Our digital library spans in multiple locations, allowing you to get the most less latency time to download any of our books like this one. Merely said, 240v Circuit Breaker Wiring Diagram is universally compatible with any devices to read.

Find 240v Circuit Breaker Wiring Diagram :

adult bible study lessons

advanced java interview questions for 10 years experience

admissions counselor education requirements

admitting that you have a problem

~~administrative coordinator interview questions~~

~~advanced call center technologies san luis~~

advanced call center technologies norman

advanced excel training manual pdf

advanced sprint triathlon training plan

adoption studies focusing on the heritability of traits have

~~advanced engineering mathematics solution manual kreyszig~~

adriaan louw pain science

administrative secretary interview questions

advanced microsoft project training

adult training wheels bike

240v Circuit Breaker Wiring Diagram :

ehorn notizbuch a4 liniert grosses notizheft mi pdf - Jan 27 2022

web may 7 2023 the broadcast ehorn notizbuch a4 liniert grosses notizheft mi that you are looking for it will totally squander the time however below later you visit this web

notizbuch a4 hardcover kariert ehorn edition amazon de - Nov 05 2022

web attraktive preise notizbücher a4 bei officeworld ch online kaufen heute bestellt mogen geliefert kauf auf rechnung gratis versand ab 80 schnelle hilfe unter 0844 822 816

ehorn notizbuch a4 liniert grosses notizheft mi pdf - Mar 29 2022

web by guides you could enjoy now is ehorn notizbuch a4 liniert grosses notizheft mi below healthy power craig n piso phd 2012 12 18 at its deepest essence this book

notizbücher a4 online kaufen officeworld ch - Oct 04 2022

web notizhefte sortierung altersempfehlung veröffentlichungsdatum click collect buchhandlung wählen buchhandlung wählen herlitz notizheft a4 2x40 kariert liniert

suchergebnis auf amazon de für ehorn notizbuch - Jun 12 2023

web notizbuch liniert a4 mit gummiband mondscheinblüte 156 seiten 78 blatt liniertes notebook bullet journal skizzenbuch tagebuch von trendstuff by häfft nachhaltig

ehorn notizbuch a4 liniert großes notizheft mit süßem - Aug 02 2022

web notebook für tägliche notizen notizheft mit hartem einband und liniertem papier zum notieren von gedanken stichpunkten grafiken im format a4 weisses papier 80

suchergebnis auf amazon de für notizbuch a4 liniert - May 11 2023

web ehorn notizbuch 1 000 relevante ergebnisse preis shops überall alle verkäufer personalisierbares notizbuch für kinder geschenk zur einschulung schulstart

suchergebnis auf amazon de für notizbuch mit festem - Mar 09 2023

web buy notizbuch ehorn notizheft din a4 liniert schönes ehorn notizbücher für kinder 4 8 großes notizheft mit süßem ehorn motiv panda ehorn für panda

einhorn notizbuch a4 liniert grosses notizheft mi uniport edu - Dec 26 2021

web einhorn verlag druck gmbh Über uns cookie dauer beschreibung cookielawinfo checkbox functional 11 months das cookie wird von gdpr cookie consent gesetzt

einhorn notizbuch a4 liniert großes notizheft mit süßem - Dec 06 2022

web notizbuch a4 hardcover kariert einhorn edition 300 nummerierte seiten inhaltsverzeichnis weißes papier 90g m² kladde schnipsel papier amazon de

einhorn notizbuch a4 liniert grosses notizheft mi pdf copy - May 31 2022

web herlitz notizheft flex a4 40 blatt kariert 40 blatt liniert ladylike butterflies gelocht perforation my book bürobedarf

einhorn notizbuch a4 liniert grosses notizheft mi jody shield - Feb 25 2022

web may 16 2023 einhorn notizbuch a4 liniert grosses notizheft mi 2 10 downloaded from uniport edu ng on may 16 2023 by guest their own experience honed over 25 years of

einhorn notizbuch a4 liniert großes notizheft mit süßem - Aug 14 2023

web mar 1 2018 einhorn notizbuch a4 liniert großes notizheft mit süßem einhorn motiv und spruch xxl über 100 seiten für mädchen blanko einhorn premium

notizhefte notizen online bestellen thalia at - Sep 03 2022

web einhorn notizbuch a4 liniert großes notizheft mit süßem einhorn motiv und spruch xxl über 100 seiten für mädchen blanko einhorn premium notizbücher band 1 by sky

einhorn verlag druck gmbh ihr verlag im herzen gmünds - Nov 24 2021

web attraktive preise notizbücher a4 liniert bei officeworld ch online kaufen heute bestellt mogen geliefert kauf auf rechnung gratis versand ab 80 schnelle hilfe unter 0844 822

notizbuch einhorn notizheft din a4 liniert schönes einhorn - Feb 08 2023

web notizbuch a4 notizbuch dotted notizbuch schwarz mit 400 seiten zur beschriftung notizbuch gepunktet von schlichte notizbücher 21 und notizheft 21 2 taschenbuch

notizbücher a4 liniert online kaufen officeworld ch - Oct 24 2021

notizhefte notizen online bestellen orell füssli - Apr 29 2022

web jun 25 2023 einhorn notizbuch a4 liniert grosses notizheft mi 2 6 downloaded from uniport edu ng on june 25 2023 by guest deepen their understanding of coding

notizbuch a4 liniert online shop gonser sicher günstig - Jul 01 2022

web einhorn notizbuch a4 liniert grosses notizheft mi pdf pages 3 39 einhorn notizbuch a4 liniert grosses notizheft mi pdf

upload suny z boyle 3 39 downloaded

einhorn notizbuch a4 liniert großes notizheft mit süßem - Jul 13 2023

web 1 48 von mehr als 20 000 ergebnissen oder vorschlägen für einhorn notizbuch ergebnisse erfahre mehr über diese ergebnisse preis und weitere details sind von

suchergebnis auf amazon de für notizbuch 400 seiten - Jan 07 2023

web einhorn notizbuch a4 liniert großes notizheft mit süßem einhorn motiv und spruch xxl über 100 seiten für mädchen blanko blank sky amazon ca livres

einhorn notizbuch etsy de - Apr 10 2023

web bantex notizbuch a4 liniert 96 blatt 70 g m² hardcover schwarz 3 stück 608 100 mal im letzten monat gekauft befristetes anbot 13 06 4 35 stück statt 15 42 mehr

phishing attacks a recent comprehensive study and a new - May 12 2023

web mar 9 2021 web trojans are malicious programs that collect user s credentials by popping up in a hidden way over the login screen jakobsson and myers 2006 when the user enters the credentials these programs capture and transmit the stolen credentials directly to the attacker jakobsson et al 2007 hosts file poisoning

user practice in password security an empirical study sciencedirect - Aug 15 2023

web aug 1 2016 our general findings include 1 average password length is at least 12 longer than previous results and 75 of our passwords have the length between 8 and 10 characters 2 there is a significant increase of using only numbers as passwords and easy to reach symbols are always the first choice when users added symbols into

password cracking an overview sciencedirect topics - Jun 13 2023

web password cracking is considered an offline attack because the attacker has gained access to a password hash for a particular account or the entire password database most password databases store the passwords as hashes rather than clear text

hashed password an overview sciencedirect topics - Jul 14 2023

web a compromised password carries a significant amount of risk hashing the password reduces the impact of compromise raw passwords should never be stored by the application instead hash the passwords with a well known standard cryptographic hash function such as sha 256

how hackers get passwords using these 7 methods sentinelone - Sep 04 2022

web jul 24 2019 for end users they are as low tech as security tech ever gets of course that ubiquity and simplicity is precisely what makes passwords attractive to thieves in this post we take a look at how hackers steal our passwords and what we can do to stop them 1 credential stuffing

who creates strong passwords when nudging fails sciencedirect - Feb 09 2023

web aug 1 2021 the use of strong passwords is viewed as a recommended cybersecurity practice as the hacking of weak passwords led to major cybersecurity breaches the present research investigated whether nudging with messages based on participants self schemas could lead them to create stronger passwords

mgm and caesars employees logins hacked and traded on - Aug 03 2022

web 20 hours ago the login and passwords in the data set were probably stolen from a computer infected with a malware called redline according to dynarisk which hides behind pirated copies of video games or

sciencedirect password free premium account login pass april 2014 - Apr 30 2022

web all sciencedirect com passwords and accounts are tested and working get sciencedirect account password here click here sciencedirect passes are daily updated sciencedirect username and password sciencedirect password hack 2014

sciencedirect account hack sciencedirect login password 2014 sciencedirect

password hacks show major sites are vulnerable sciencedirect - Apr 11 2023

web jun 1 2012 analysis of the leaked and decrypted passwords reveals the usual story of poor password choice 68 of passwords were eight characters or fewer and some of them included linkedin linkedinpassword p455w0rd sophos mcafee kaspersky microsoft and symantec

user name and password for online access of journals saha - Feb 26 2022

web please use given login and password for following journals 1 aslib prodeeding username aspro password ceedlib 2

emerald full text username sinp password 316233 3 journal of documentation username djoc passwd

password security how easily can your password be hacked - Nov 06 2022

web download and save the files crack password py and passwords txt to the same folder on your computer crack password py is an example program written by science buddies that includes four different password cracking algorithms method 1 brute force attack with numbers 0 9 only

how easily can your password be hacked science project - Jan 28 2022

web apr 3 2022 people are hacking in to get the passwords of the actual users on these platforms so that they could have a huge database of passwords that they can use for the brute force attack these wordlists of leaked databases are available over the internet and are being used for brute forcing

password cracking 101 attacks defenses explained - Jul 02 2022

web mar 25 2022 password cracking also called password hacking is an attack vector that involves hackers attempting to crack or determine a password password hacking uses a variety of programmatic techniques and automation using specialized tools these password cracking tools may be referred to as password crackers

cracking password an overview sciencedirect topics - Mar 10 2023

web 1 locate and download the target system s password hash file 2 use a tool to convert the hashed encrypted passwords into a plaintext password most systems do not store your password as the plaintext value you enter but rather they store an encrypted version of the password this encrypted version is called a hash

login password an overview sciencedirect topics - Jan 08 2023

web the first metasploit tool we ll discuss is the mssql login password scanner this is basically a brute force password scanner that uses wordlists to attempt to crack specific accounts for our purposes the most useful account on the ms sql server would be

hacked password sciencedirect pdf blueskywildlife - Dec 27 2021

web the publication as with ease as acuteness of this hacked password sciencedirect pdf can be taken as competently as picked to act how to cheat at managing information security mark osborne 2006 08 22 this is the only book that covers all the topics that any budding security manager needs to know this

mgm casinos cyber attack blamed on western hacking group - Dec 07 2022

web 2 days ago a cyber criminal gang proficient in impersonation and malware has been identified as the likely culprit for an attack that paralysed networks at us casino operator mgm resorts international the

sciencedirect com password and username sur ly - Mar 30 2022

web here are our handpicked suggestions for sciencedirect com password and username our editors have chosen several links from studynation com additionally you can browse 7 more links that might be useful for you sciencedirect com picks sciencedirect com science health and medical journals more featured picks

hacked password sciencedirect 2023 - Jun 01 2022

web password jun 25 2023 user passwords are the keys to the network kingdom yet most users choose overly simplistic passwords like password that anyone could guess while system administrators demand impossible to remember passwords littered with obscure characters and random numerals every computer user must face the problems of

passwords databases journals permalinks sjsu research - Oct 05 2022

web apr 26 2023 permalinks passwords and permalinks some databases and journals require a username and password for authorization instead of ip authentication the

la casa di charme ediz bianco e nero l arte di rendere unica la - Nov 05 2022

web la casa di charme ediz bianco e nero l arte di rendere unica la propria casa con poca spesa e molto stile paci marco trivellin eleonora vezzi alessio amazon sg books

la casa di charme lo stile femminile a casa e fuori - Nov 24 2021

web come fare un mobile shabby chic parte 2 come fare un mobile shabby chic parte 1 un classico dello stile il bianco come indossarlo per essere sempre chic abbinare colori

la casa di charme ediz bianco e nero l arte di re donald - Aug 02 2022

web la casa di charme ediz bianco e nero l arte di re collections that we have this is why you remain in the best website to look the unbelievable books to have the bauhaus

la casa di charme ediz bianco e nero l arte di rendere unica la - Feb 08 2023

web buy la casa di charme ediz bianco e nero l arte di rendere unica la propria casa con poca spesa e molto stile by paci marco trivellin eleonora vezzi alessio online on

la casa di charme ediz bianco e nero l arte di rendere unica - Jul 01 2022

web jun 16 2023 this la casa di charme ediz bianco e nero l arte di rendere unica la propria casa con poca spesa e molto stile by chiara giuliani as one of the majority

disegno di casa di charme da colorare acolorare com - Dec 26 2021

web disegno di casa di charme da colorare stampare o scaricare colora online con un gioco da colorare disegni di edifici e potrei dividi e creare la tua propria galleria di disegni online

la casa di charme ediz bianco e nero l arte di re ugo mulas - Jan 27 2022

web la casa di charme ediz bianco e nero l arte di re la casa di charme ediz bianco e nero l arte di re 3 downloaded from darelova com on 2023 07 28 by guest 2020 12 22

la casa di charme ediz bianco e nero l arte di rendere unica la - Jun 12 2023

web jan 18 2017 la casa di charme ediz bianco e nero l arte di rendere unica la propria casa con poca spesa e molto stile italian edition giuliani chiara paci marco

amazon it la donna di charme ediz bianco e nero guida - Apr 10 2023

web la casa di charme ediz bianco e nero l arte di rendere unica la propria casa con poca spesa e molto stile

la casa di charme ediz bianco e nero l arte di rendere unica la - Mar 09 2023

web abebooks com la casa di charme ediz bianco e nero l arte di rendere unica la propria casa con poca spesa e molto stile italian edition 9781541275133 by giuliani

la casa di charme ediz bianco e nero l arte di rendere unica - Sep 03 2022

web may 24th 2020 10 la casa di charme ediz bianco e nero l arte di rendere unica la propria casa con poca spesa e molto stile il design di interni denominato anche

la casa di charme ediz bianco e nero l arte di rendere unica - Feb 25 2022

web la casa di charme ediz bianco e nero l arte di rendere unica la propria casa con poca spesa e molto stile by chiara

giuliani pratiche per arredare 1000 disegni tecnici

la casa di charme ediz bianco e nero l arte di rendere unica - Mar 29 2022

web jun 6 2023 la casa di charme ediz bianco e nero l arte di rendere unica la propria casa con poca spesa e molto stile by chiara giuliani alle donne di tutte le età

la casa di charme ediz bianco e nero l arte di re anne fine - May 31 2022

web la casa di charme ediz bianco e nero l arte di re if you ally craving such a referred la casa di charme ediz bianco e nero l arte di re book that will give you worth

la casa di charme ediz bianco e nero l arte di rendere unica la - Jan 07 2023

web find helpful customer reviews and review ratings for la casa di charme ediz bianco e nero l arte di rendere unica la propria casa con poca spesa e molto stile at

la casa di charme ediz bianco e nero l arte di rendere unica la - Dec 06 2022

web jan 18 2017 nuova edizione in bianco e nero di formato più grande aggiornata e arricchita con nuovi contenuti un vero e proprio manuale pratico tutto declinato

amazon fr la casa di charme ediz bianco e nero l arte di - Oct 04 2022

web note 5 retrouvez la casa di charme ediz bianco e nero l arte di rendere unica la propria casa con poca spesa e molto stile et des millions de livres en stock sur

la casa di charme ediz bianco e nero l arte di rendere unica la - Aug 14 2023

web la casa di charme ediz bianco e nero l arte di rendere unica la propria casa con poca spesa e molto stile giuliani chiara paci marco trivellin eleonora vezzi alessio

la casa di charme ediz bianco e nero l arte di rendere unica - Apr 29 2022

web jun 18 2023 enciclopedia degli schemi di colore e di superficie la casa su misura 100 schede pratiche per arredare 1000 disegni tecnici per progettare la casa di charme ediz

la casa di charme ediz bianco e nero l arte di rendere unica la - Jul 13 2023

web la casa di charme ediz bianco e nero l arte di rendere unica la propria casa con poca spesa e molto stile paci marco trivellin eleonora vezzi alessio amazon com be

residenza fra le torri charme art gallery home airbnb - Oct 24 2021

web 20 feb 2023 intero alloggio appartamento a 102 appart tipico toscano finemente ristrutturato in centro storico 1 matrim 1 zona giorno con cucina atrezz e divano letto

la casa di charme ediz bianco e nero l arte di rend - May 11 2023

web nuova edizione in bianco e nero di formato più grande aggiornata e arricchita con nuovi conte la casa di charme ediz

bianco e nero l arte di rendere unica la